

DESCRIPTION

AMC MODEL SW-2181-2AT-A1072 & A2072 IS AN ABSORPTIVE SPDT SWITCH MODULE WITH INTEGRAL DRIVER, DESIGNED TO OPERATE WITH A SINGLE POSITIVE SUPPLY VOLTAGE.

SPECIFICATIONS

- FREQUENCY RANGE 2.7-2.9 GHz MINIMUM
- INSERTION LOSS
 - A1072 1.3 dB MAXIMUM
 - A2072 1.1 dB MAXIMUM
- ISOLATION
 - A1072 70 dB MINIMUM
 - A2072 50 dB MINIMUM
- RETURN LOSS: -16dB MINIMUM
- RF POWER RATINGS +20 dBm CW MAXIMUM
- SWITCHING TIME
 - RISE (10% RF TO 90% RF) 500 ns MAXIMUM
 - FALL (90% RF TO 10% RF) 500 ns MAXIMUM
 - ON (50% TTL TO 90% RF) 1 μ s MAXIMUM
 - OFF (50% TTL TO 10% RF) 1 μ s MAXIMUM
- CONTROLS TTL COMPATIBLE, UNITY LOAD
2 INDIVIDUAL CONTROLS
LOGIC "0"= INSERTION LOSS
LOGIC "1"= ISOLATION
(SEE TRUTH TABLE)
- SUPPLY POWER +5VDC \pm 5% @ 220 mA MAXIMUM
- CONNECTORS
 - RF INPUT/OUTPUT SMA FEMALE
 - POWER SOLDER PIN
 - CONTROL SOLDER PIN
- SIZE 1.63" x 1.25" x 0.50"

AVAILABLE OPTIONS

- A01 50 Ω CONTROL IMPEDANCE
- A02 100 Ω CONTROL IMPEDANCE
- A03 INVERSE CONTROL LOGIC (LOGIC "0" ISOLATION)
- A04 VIDEO FILTER (0.5 dB EXCESS LOSS)
- A05 SINGLE CONTROL (LOGIC "0" J1-J2)
- A06 EXTENDED FREQUENCY RANGE (CONSULT FACTORY)
- A13 J1 SMA MALE, J2-J3 SMA FEMALE
- A14 J1 SMA FEMALE, J2-J3 SMA MALE
- A16 +9 VDC TO +18 VDC SUPPLY

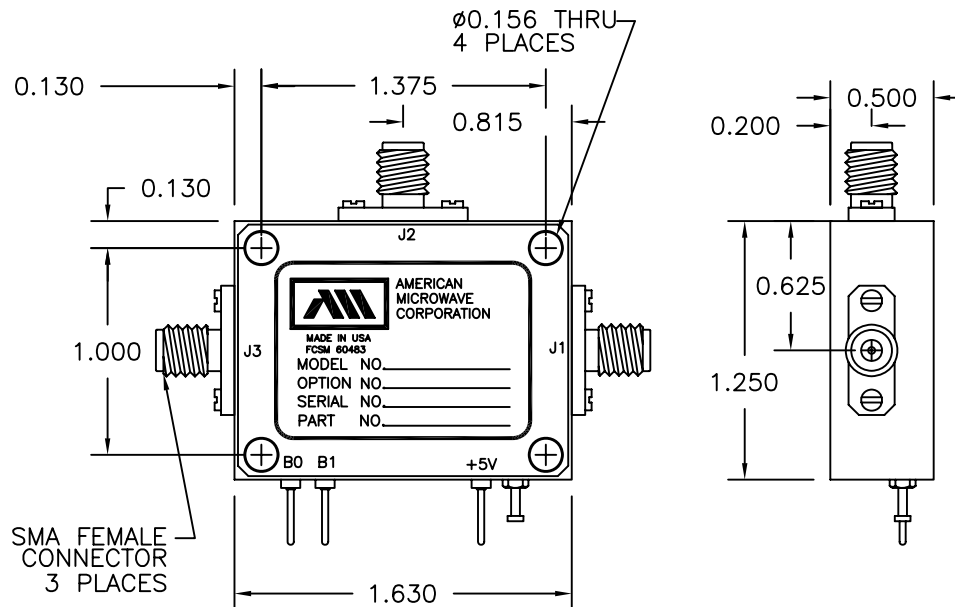
NOTES:

- 1) DIMENSIONS ARE IN INCHES
- 2) TOLERANCES: X.XX \pm 0.020
X.XXX \pm 0.010
- 3) WEIGHT: APPROX. 2 OZ

NOTE: SPECIFICATIONS WILL VARY OVER OPERATING TEMPERATURE
NOTE: THE ABOVE SPECIFICATIONS ARE SUBJECT TO CHANGE OR REVISION

TRUTH TABLE		
B1	B0	RF PATH
0	0	J1-J2
0	1	J1-J2
1	0	J1-J3
1	1	ALL ISOLATED

REVISIONS				
ZONE	REV.	DESCRIPTION	DATE	APPROVED
	A	ORIGINAL RELEASE, JOB# 207177-1&2	11/22/92	
	B	SEE ECN# 04-063	5/7/04	
	C	SEE ECN# 04-068	5/12/04	
	D	SEE ECN# 07-099	7/31/07	



ENVIRONMENTAL RATINGS

- **TEMPERATURE:** -55°C TO +95°C (OPERATING)
-65°C TO +125°C (STORAGE)
- **HUMIDITY:** MIL-STD-202F, METHOD 103B COND. B
- **SHOCK:** MIL-STD-202F, METHOD 213B COND. B
- **VIBRATION:** MIL-STD-202F, METHOD 204D COND. B
- **ALTITUDE:** MIL-STD-202F, METHOD 105C COND. B
- **TEMPERATURE CYCLE:** MIL-STD-202F, METHOD 107D COND. A

AMERICAN MICROWAVE CORPORATION

7311-G GROVE ROAD
FREDERICK, MARYLAND 21704 USA
TEL: 301-662-4700 FAX: 301-662-4938
WEBSITE: www.americamicrowavecorp.com
E-MAIL: sales@americamicrowavecorp.com
ISO 9001:2000 CERTIFIED



APPROVALS		DATE	TITLE			
DRAWN <i>WSP</i>		11/22/92	PRODUCT FEATURE			
REDRAWN <i>JDJ</i>		8/20/04	SW-2181-2AT-A1072 & A2072			
ISSUED			2-4 GHz, NON-REFLECTIVE SPDT SWITCH MODULE			
SIZE	FSCM NO.	DWG NO.	REV.			
A	60483	100-2906	D			
SCALE N:S			SHEET 1 OF 3			